



**WF 2050**



**WFD 3050**



**WF 2050 P**

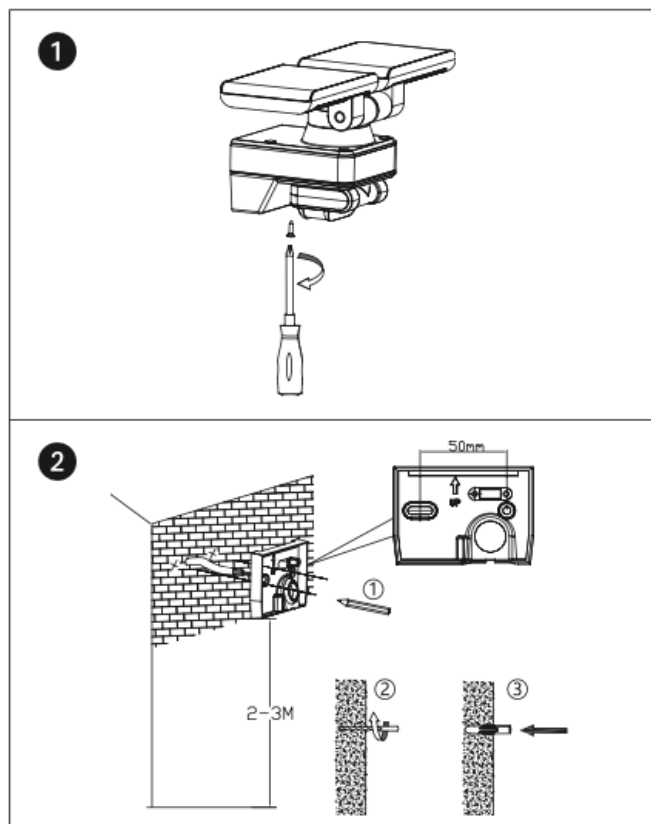


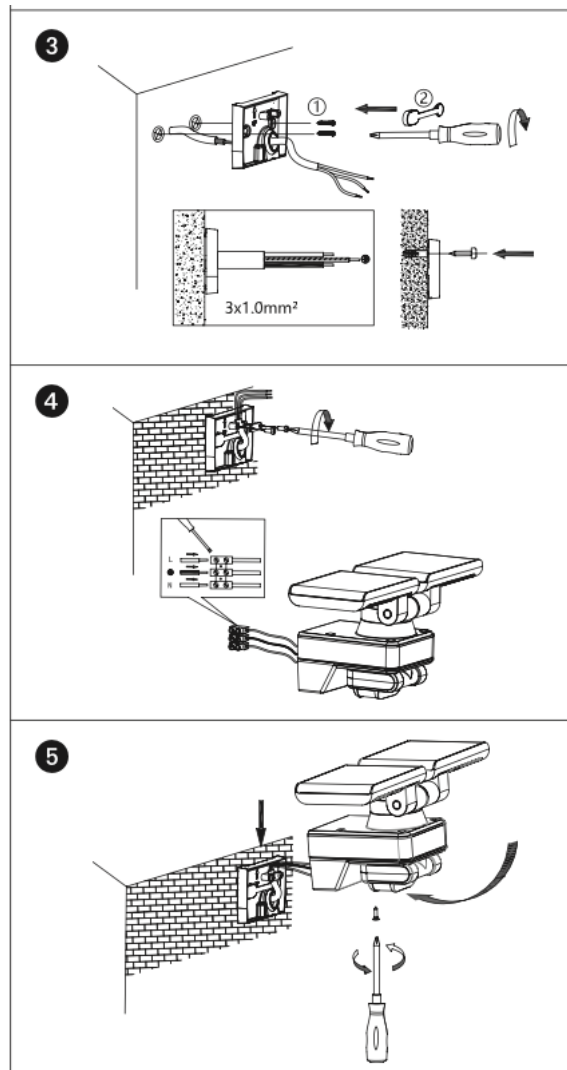
**WFD 3050 P**



WiFi LED light with/without motion detector

## Operating instructions





## WiFi LED Light

**Attention:** Please read these instructions for use carefully before using the lamp and keep them in a safe place!

### SAFETY NOTE

- Before each use, check the product for possible damage.
- Never use the product if you notice any damage. In this case, contact a qualified electrician or the service address of the manufacturer.



**Non-observance can result in danger to life due to electric shock!**

- Installation and maintenance of the lamp must be carried out by a qualified professional.
- Electrical installations may only be carried out in compliance with the safety regulations (VDE 0100 for Germany).
- A VDE-certified connecting cable must be used for connection.
- The lamp must be properly grounded (for protection class I).
- Always switch off the power supply before installation - beware of electric shock.
- Installation and maintenance of the lamp must be carried out by a qualified professional.
- Do not use the product in a potentially explosive environment, danger to life!
- Keep children away from the spotlight. Children cannot assess the danger from the electric current.
- Please never look directly into the light.
- A destroyed protective cover cannot be replaced. The lamp must be disposed of.
- Not suitable for operation with external dimmers.

## TECHNICAL DATA:

Protection class:	I
Nominal voltage:	220-250V ~ 50/60 Hz
Protection class versions with/without motion detector:	IP54
Temperature range:	-20°C to +50°C
Connection cable:	H05RN-F 3G1.0mm <sup>2</sup> (not supplied)
Radio frequency:	2.4 GHz
Wi-Fi frequency band:	2.412-2.484 GHz
Max. transmission power:	<100 mW
Wireless IEE standards:	IEEE 802.11 b/g/n

Model	WF 2050	WF 2050 P	WFD 3050	WFD 3050 P
Motion detector (PIR)	-	Yes	-	Yes
Power input (W)	19,5	19,5	29,2	29,2
Current max. (A)	0,136	0,136	0,09	0,09
Power factor	>0.5	>0.5	>0.9	>0.9
Max. projected area (cm <sup>2</sup> )	190	190	292	292
Dimensions (mm)	160x119x118	160x119x122	245x119x122	245x119x127
Weight (kg)	0,56	0,61	0,64	0,69

This LED spotlight is suitable for indoor and outdoor lighting purposes.

## INSTALLATION AND CONNECTION TO POWER SUPPLY see illustrations

1. Always switch off the power supply before installation.
2. The lamp must be mounted at a height of less than 3 m  
Recommended installation height for models with motion detector 2.5 m.
3. To attach the mounting plate to the wall, follow the steps as described in (1+2).
4. Insert the power cable through the rubber seal of the mounting plate and screw it to the wall (3).  
Cover the openings for the screws with the sealing cap. Fasten the cable with the strain relief if necessary.
5. Connect the strands of the power cable with the luster terminal of the lamp (4).  
Note the wires N and L.
6. Connect the lamp with the mounting plate (5) and tighten the screw.
7. Align the lamp head(s).
8. Switch on the power supply again.

## OPERATION with WIFI (for setting the light and PIR parameters)

1. Start the App brennenstuhl®Connect.
2. Use the „+“ symbol to add new devices.
3. Select in the device overview with the type No. to select the device to be installed.
4. Set the lamp to the learning mode:  
Press the reset button 3 times, if the learning mode is active, the lamp will start blinking.
5. Then follow the instructions in the app to connect the WiFi lamp to your network.

If the spotlight is set up in the app, all settings can be made in the app.

## SCOPE OF DELIVERY

2x screws, 2x dowels, 1x rubber seal.

## CLEANING

Disconnect the product from the mains voltage before cleaning.

Do not use solvents, caustic cleaning agents or similar products. Only use a dry or slightly moistened cloth for cleaning.

## MAINTENANCE

**CAUTION:** The LED light does not contain any components that require maintenance. The light source of this light is not replaceable. When the light source has reached the end of its service life, the entire light must be replaced. The light must not be opened.



## CE SIMPLIFIED EU DECLARATION OF CONFORMITY

We, the Hugo Brennenstuhl GmbH & Co. KG, herewith declare that the remote system types WF 2050 / WF 2050 P / WFD 3050 / WFD 3050 with the directives 2014/53/EU and 2011/65/EU. The complete text of the EU declaration of conformity is available at the following web addresses.

[www.brennenstuhl.com/konformitaetserklaerung/ke\\_1179050000.pdf](http://www.brennenstuhl.com/konformitaetserklaerung/ke_1179050000.pdf)

[www.brennenstuhl.com/konformitaetserklaerung/ke\\_1179050010.pdf](http://www.brennenstuhl.com/konformitaetserklaerung/ke_1179050010.pdf)

[www.brennenstuhl.com/konformitaetserklaerung/ke\\_1179060000.pdf](http://www.brennenstuhl.com/konformitaetserklaerung/ke_1179060000.pdf)

[www.brennenstuhl.com/konformitaetserklaerung/ke\\_1179060010.pdf](http://www.brennenstuhl.com/konformitaetserklaerung/ke_1179060010.pdf)

For possibilities of disposal of the used product, please contact your local or municipal administration.

## DISPOSAL



**Electronic appliances must not be disposed of in household waste!**

The European Directive 2012/19/EC on Waste Electrical and Electronic Equipment and its implementation on national law stipulate that used electronic appliances should be collected separately and recycled in an environmentally friendly manner. For possibilities of disposal of the used appliance, please contact your local or municipal administration.

## MANUFACTURER

Hugo Brennenstuhl GmbH & Co. KG

Seestraße 1 – 3 · D-72074 Tübingen

H. Brennenstuhl S.A.S.

4 rue de Bruxelles · F-67170 Bernolsheim

lectra technik ag

Blegistrasse 13 · CH-6340 Baar

For further information, please refer to the Service/FAQ section on our homepage [www.brennenstuhl.com](http://www.brennenstuhl.com).